



HITECH FLEXI TUBES

The trusted name all around the world for all types of metal

Flexi Tubes and Fittings of World Class Standards and Quality



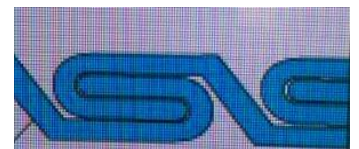
DOUBLE LOCK

Manufacturer & Exporter of UL & Non-UL standards

GI/SS Flexible Tubes (Square/Double Lock) with or without PVC Jacket & their fittings

Visit us: WWW.HFTUBES.COM

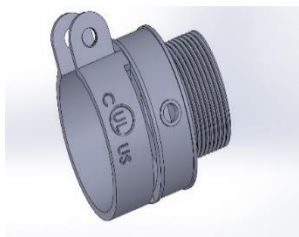
Call us 8000 20 9000 or 8000 40 9000



Double Lock explained

Head Office: 503, Dil Pasand Tower, Race Course Road, Indore (M.P.) - 452001

Factory : 115, Mohana Industrial Park, RAJPURA, MACHAL, NH 47, Indore (M. P.) India. Pin: 453001.



INTRODUCTION

HITECH FLEXI TUBES is registered MSME unit and the MSME Registration No. is MP17B0009940. We are REACH, ROHS, CE and ISO 9001:2015 certified company and maintain the high standards of a world class Industrial Unit.

“hft” is the registered Trade Mark of Our Products and it’s ID is 3986293

We are registered with Govt. e Marketing (GeM). It’s ID no.is 4JJG210002270282



We manufacture world class Square as well as Double lock GI & SS flexi conduits with or without PVC Jacket and all types of couplers and fittings for these flexible tubes
(HSN Code 72104900, 39042110 & 85389000 & 85479020)
(GST No. 23AAOFH3689Q1ZH)

Company Profile & Products

M/S **HITECH FLEXI TUBES** is one of the leading manufacturers & exporters of all types of Flexible Metal Conduits including Stainless Steel leak proof double lock flexible conduits. We have a state-of-the-art plant & manufacturing facility in nearly 10000 Sq. Meter area at 115, Mohana Industrial Park, Rajpura, NH 47, Machal, Distt. Indore (M.P.) 453001– one of the best developed Industrial Estate of M.P. It is hardly 10 Kms from Indore Airport.

We have inhouse laboratory for -- (a) Linear Breaking Test, (b) Bending fracture test (c) Crushing Test (d) dimension test & (e) Flexibility test. This gives inhouse authentic test report for each batch manufactured

HITECH FLEXI TUBES is manufacturing world class FLEXI Metal Conduits of international quality and of different sizes under the trade name “**hft**” and is manufacturing as per the norms of **BIS 3480:1966, BS EN and UL Standards**. We are the only manufacturer in INDIA having the approval from Bureau of Indian Standards (BIS) and are registered and certified ISI Mark users (In Process)

We are manufacturing Flexi Tubes & accessories in five different categories

1) Commercial Grade Metal Flexi Tube Division

- A. Electro GI Flexi Conduits ---Sizes 10 mm to 50 mm
- B. PVC coated Electro GI FLEXI Conduits ---Sizes 10 mm to 50 mm
- C. Liquid Tight Electro GI FLEXI Conduits ---Sizes 10 mm to 50 mm

2) Premium Grade Metal Flexi Tube Division

- A. Hot dipped GI Flexi Conduits ----Sizes 10 mm to 200 mm
- B. PVC coated Hot dipped GI FLEXI Conduits ---Sizes 10 mm to 200 mm
- C. Liquid Tight Hot dipped GI FLEXI Conduits ---Sizes 10 mm to 100 mm
- D. FRLS (Fire Retardant Low Smoke) PVC/LT FLEXI Metal Conduits Up to 200 mm
- E. Double Lock GI flexible Conduits – 6 mm to 300 mm
- F. Stainless Steel Square Lock Flexi Conduits - Highly Chemical/Acid Corrosion Resistant Sizes -- 6 mm to 200 mm

3) BS EN Standard Metal Flexi Tube Division

- A. Hot dipped GI Flexi Conduits ----Sizes 10 mm to 200 mm
- B. PVC coated Hot dipped GI FLEXI Conduits ---Sizes 10 mm to 150 mm
- C. Double lock GI/SS Flexible Conduits --- Sizes 6 mm to 300 mm
- D. Corrugated PVC Coated GI/SS Double Lock Flexible Conduits –6 to 300 mm

4) UL Standard Metal Flexi Tube Division

- A. Hot dipped GI Flexi Conduits ----Sizes 16 mm to 400 mm
- B. Double Lock GI/SS Flexi conduits (ID 4 mm to 400 mm)
- C. Liquid Tight Double Lock GI, Flexi Conduits (FRLS, UV Resistant & ROHS)
- D. Double Lock (Interlock) GI Flexi Conduits with Copper/Asbestos wire lining
- E. Liquid Tight Interlock GI Flexi Conduits with Copper/Asbestos wire
- F. SS wire Braided GI/SS flexible conduit for High Pressure - 6 mm to 300 mm
- G. Highly Chemical & Acid Corrosion resistant SS flexible conduits-

5) Fittings/Couplers & GI Cable Trays Division

- A. Aluminum Fittings for GI or SS Conduits
- B. Brass Fittings for GI or PVC coated Conduits
- C. Nickel plated Zinc/Brass fittings for GI or SS Conduits
- D. Zinc Die Cast fittings for PVC coated GI or SS Tubes
- E. Nickel Plated Zinc/Steel Die cast Fittings for PVC coated GI or SS Tubes
- F. SS couplers and Hoses for automobile Industries
- G. Galvanized Iron Cable Trays for general electrification

HITECH Metal Flexi Tubes are explained below for easy reference:

1) Commercial Grade Metal Flexi Tube Division

A. Electro GI Flexi Conduits



- **Grade:** Commercial
- **Size range:** 10 mm to 50 mm
- **G.I. Thickness:** Electro Galvanized 0.16 mm
- **Locking System:** Square lock
- **Temperature bearing:** -30°C to 150°C

B. PVC coated Electro GI FLEXI Conduits



- **Grade:** Commercial
- **Size range:** 10 mm to 50 mm
- **G.I. Thickness:** Electro Galvanized 0.16 mm
- **Locking System:** Square Lock
- **Coating:** Recycled PVC Black/grey
- **Temperature bearing:** -30°C to +80°C



C. Liquid Tight GI FLEXI Conduits

- **Grade:** Commercial
- **Size range:** 10 mm to 50 mm
- **G.I. Thickness:** Electro Galvanized 0.16 mm
- **Locking System:** Square lock
- **Coating:** Recycled PVC Black/grey
- **Temperature bearing:** -30°C to +80°C

2) Premium Grade Metal Flexi Tube Division

A. Hot dipped GI Flexi Conduits



- **Grade:** Premium
- **Size range:** 10 mm to 100 mm
- **G.I. Thickness:** Hot Dipped GI 0.20 mm
- **Locking System:** Square lock
- **Coating:** Zinc coated (80- 90 GSM)
- **Temperature bearing:** -50°C to +300°C
- **Box Packing**

B. PVC coated Hot dipped GI FLEXI Conduits



- **Grade:** Premium
- **Size range:** 10 mm to 100 mm
- **G.I. Thickness:** Hot Dipped GI 0.20 mm
- **Locking System:** Square lock
- **Coating:** Zinc coated (80- 90 GSM)
- **PVC Coating:** Virgin PVC Black/Grey
- **Temperature bearing:** -50°C to +80°C
- **Box Packing**
-

C. Liquid Tight Hot dipped GI FLEXI Conduits



- **Grade:** Premium
- **Size range:** 10 mm to 100 mm
- **G.I. Thickness:** Hot Dipped GI 0.20 mm
- **Locking System:** Square lock
- **Zinc Coating:** Zinc coated (80- 90 GSM)
- **PVC Coating:** Liquid Tight Virgin PVC Black/grey
- **Temperature bearing:** -50°C to +80°C
- **Box Packing**

D. FRLS (Fire Retardant Low Smoke) PVC/LT coated



- **Grade:** Premium
- **Size range:** 10 mm to 100 mm
- **G.I. Thickness:** Hot Dipped GI 0.20 mm
- **Locking System:** Square lock
- **Zinc Coating:** Zinc coated (80- 90 GSM)
- **PVC Coating:** Liquid Tight FRLS Virgin PVC Black/Grey
- **Temperature bearing:** -50°C to +80°C
- **Box Packing**

E. Double Lock GI flexible Conduits



- **Grade:** Premium
- **Size range:** ID 6 mm to ID 250 mm
- **G.I. Thickness:** 0.20 mm & 0.3 mm
- **Zinc coating:** Hot Dipped 80 to 120 GSM
- **Locking System:** Double lock/Inter Lock
- **Coating:** Virgin PVC (recycle option available)
- **Temperature bearing:** -50°C to +300°C
- **PVC coating or Liquid Tight coating option available**

F. Stainless Steel Flexi Conduits - Highly Chemical Corrosion Resistant



- **Grade:** Stainless Steel
- **Size range:** ID 6 mm to ID 250 mm
- **Stripe Thickness:** 0.16 mm & 0.20 mm
- **SS Grade:** SS -204/ SS 304/ SS 316
- **Locking System:** Single/Square Lock
- **Temperature bearing:** -50°C to +300°C
- **It can be coated with FRLS PVC also as per requirement**
- **Square lock explained**

3) BS EN Standard Metal Flexi Tube Division

A. Hot dipped GI Flexi Conduits



- **Grade:** BSEN STANDARD
- **Size range:** Sizes 10 mm to 200 mm
- **G.I. Thickness:** 0.30 mm
- **Zinc Coating:** 120 GSM
- **Locking System:** Square Lock
- **Temperature bearing:** -50°C to +300°C

B. PVC coated Hot dipped GI FLEXI Conduits

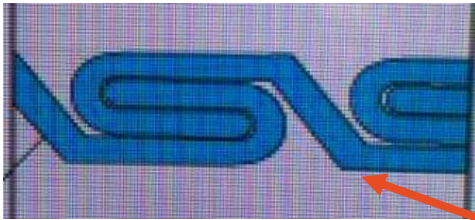


- **Grade:** BSEN STANDARD
- **Size range:** Sizes 10 mm to 200 mm
- **G.I. Thickness:** 0.30 mm
- **Zinc Coating:** 120 GSM
- **Locking System:** Square Lock
- **Temperature bearing:** -50°C to +300*
- **Coating:** Virgin PVC (recycle option available)
- **Temperature bearing:** -30°C to +80°C

C. Double lock GI/SS Flexible Conduits



- **Grade:** BSEN STANDARD
- **Size range:** Sizes 10 mm to 200 mm
- **Stripe Thickness:** 0.30 mm GI
- **For SS Stripe thickness may be 0.2 mm**
- **Zinc Coating:** 120 GSM
- **SS grade:** SS 204/304/316
- **Locking System:** Double Lock
- **Temperature bearing:** -50°C to +300°C



It can be coated with FRLS PVC as per requirement of the client. Not only this the double lock system may be bonded by Copper or nylon wire to make it air tight

Double Lock explained

4) UL Standard Metal Flexi Tube Division

A. Hot dipped GI Flexi Conduits



1. **Grade:** UL STANDARD
2. **Size range:** Sizes 10 mm to 200 mm
3. **G.I. Thickness:** 0.60 mm
4. **Zinc Coating:** 120 GSM
5. **Locking System:** Square Lock
6. **Temperature bearing:** -50°C to +300°C

B. UL Double Lock GI Flexi conduits



1. **Grade:** UL STANDARD
2. **Size range:** Sizes 6 mm to 300 mm
3. **G.I. Thickness:** 0.60 mm
4. **Zinc Coating:** 120 GSM
5. **Locking System:** Double Lock
6. **Temperature bearing:** -50°C to +300°C

C. UL Liquid Tight Double Lock GI, Flexi Conduits (FRLS, UV Resistant & ROHS)



1. **Grade:** UL STANDARD
2. **Size range:** Sizes 10 mm to 200 mm
3. **G.I. Thickness:** 0.30 mm/0.40 mm
4. **Zinc Coating:** 120 GSM
5. **Locking System:** Double Lock
6. **Copper wire bonded for air tight Section**
7. **PVC coating Liquid Tight FRLS & UV resistant**
8. **Temperature bearing:** -50°C to +80°C

D. Double Lock (Interlock) GI Flexi Conduits with Copper wire/Asbestos cord lining



1. **Grade:** UL STANDARD
2. **Size range:** Sizes 10 mm to 200 mm
3. **G.I. Thickness:** 0.30 mm/0.40 mm
4. **Zinc Coating:** 120 GSM
5. **Locking System:** Double Lock
6. **Bonding:** Copper Wire or Nylon Thread to make it air tight
7. **Temperature bearing:** -50°C to +300°C

E. Liquid Tight Interlock GI Flexi Conduits with Copper/Asbestos wire lining



1. **Grade:** UL STANDARD
2. **Size range:** Sizes 10 mm to 200 mm
3. **G.I. Thickness:** 0.30 mm/0.40 mm
4. **Zinc Coating:** 120 GSM
5. **Copper/Asbestose Thread binding**
6. **Locking System:** Double Lock
7. **PVC coating Liquid Tight FRLS & UV resistant**
8. **Temperature bearing:** -50°C to +80°C

F. SS wire Braided GI/SS flexible conduit for High Pressure and air tight



1. Grade: UL Standard
2. Size range: 10 mm to 200 mm
3. G.I. Thickness: 0.30 mm
4. Locking System: Double lock
5. Braiding- Stainless Steel wire Grade: SS 204
6. PVC Coating: Virgin PVC , FRLS
7. Temperature bearing: -50°C to +300°C

G. Highly Chemical & Acid Corrosion resistant SS flexible conduits

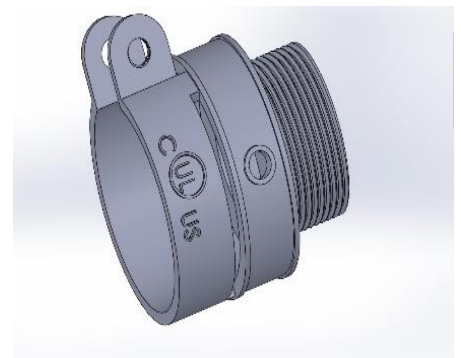


1. Grade: UL Standard
2. Size range: 10 mm to 200 mm
3. G.I. Thickness: 0.40 mm
4. Locking System: Double lock
5. Coating: Virgin PVC if required
6. Temperature bearing: -50°C to +300°C

5) Fittings/Coupler & GI Cable Trays Division

We manufacture “hft” brand couplers, adopters, Connectors and glands for easy and simple connectivity of all sizes of FLEXI & Rigid conduits. They are manufactured from Brass and Zinc as per different standards including, BIS, BS EN and UL. The fittings as per need of different standards are:

A. Aluminum Fittings:



B. Brass Fittings:





C. Nickel Plated Brass/Zinc



The fittings may be made of brass or zinc and then nickel plated for extra finish. Nickel Plated Zinc couplers are cheaper than brass of couplers which may be used for PVC coated material as well as single or double lock GI/SS conduits. Nickel plated Brass or zinc are practically same in appearance and have practically same life

D. Zinc Die cast Fittings:



E. Nickel Plated Zinc/Steel Die cast Fittings:

These are most suitable for Liquid Tight conduits and made from Brass/Chrome plated Steel



F. SS couplers and Hoses: We provide couplers with all types of threads including **NPT Threads**. We also provide Steel Braided Hoses with attachments



G. Cable Trays: We provide GI cable trays of all sizes and thicknesses to suit the specific requirements of the clients



Contact: – V.S.Banthia - 8000 20 9000 Chairman
 – CA. Dhruv Banthia -- 8000 40 9000 (CEO)
 -- CMA, CPA Shivna Banthia – 7773044480 (CFO)
 – Er. Deepak Patidar --90571 28401 (Chief Technical Officer)
 -- Himanshu Ghune ---975597 5947 (Manager Quality Control)

Mail us :: vsb@vibchem.com, vsb@hftubes.com, vsb.hftubes@gmail.com
dhruv@hftubes.com, dhruvbanthia1992@gmail.com
deepak@hftubes.com

Visit us:: www.hftubes.com